

Apero Coffee Table

Assembly Instructions

KING[®]
L I V I N G

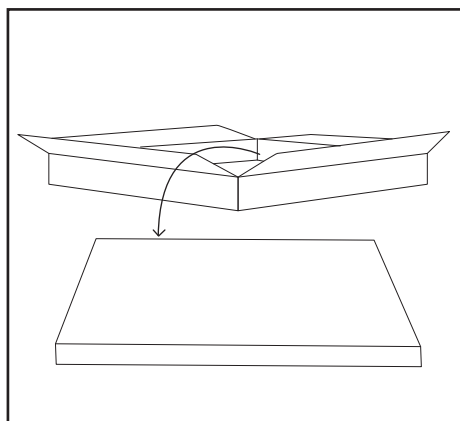
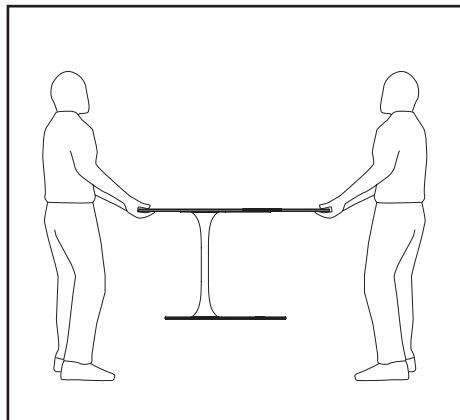
Two people are required for safe assembly.

Opening Boxes

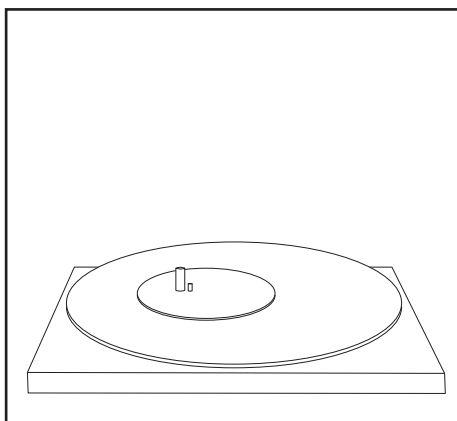
DO NOT use a knife to open the King Living boxes as you may damage your furniture.

Peel off the tape, then lift & separate the cardboard flaps to open.

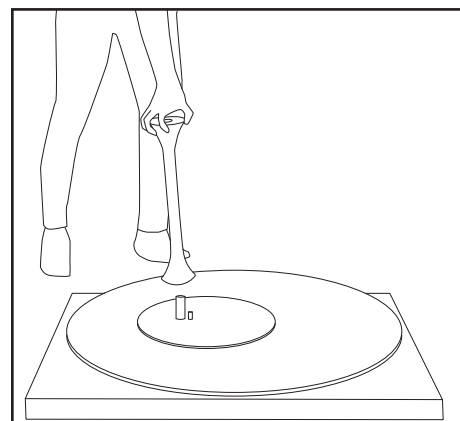
Assemble your furniture by following the steps below.



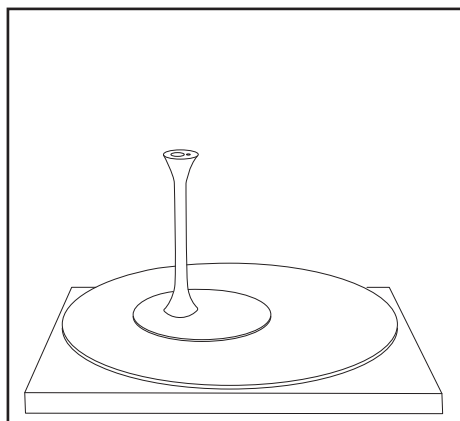
1



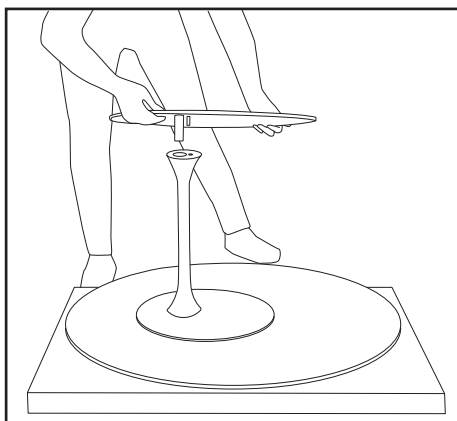
2



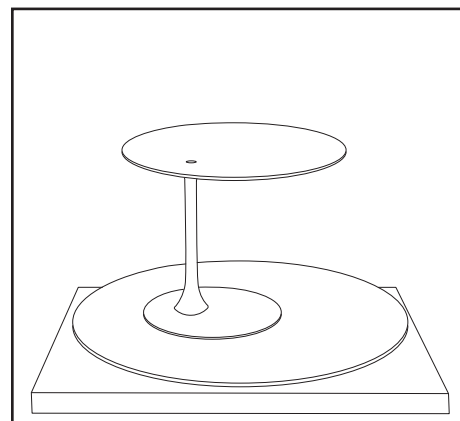
3



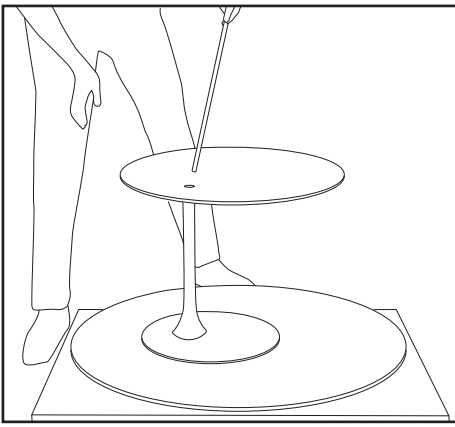
4



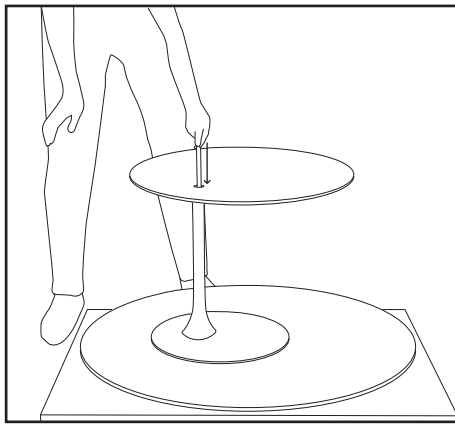
5



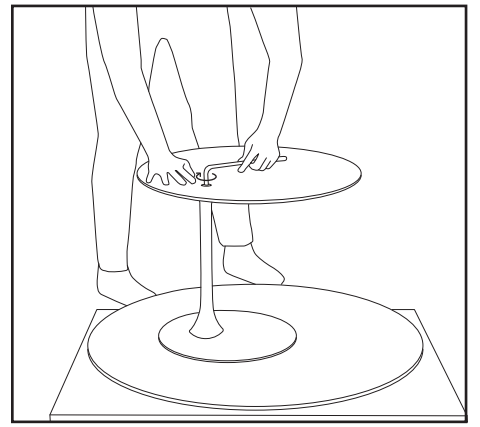
6



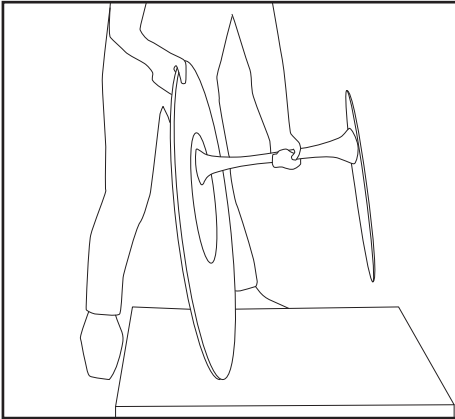
7



8



9



10



11