

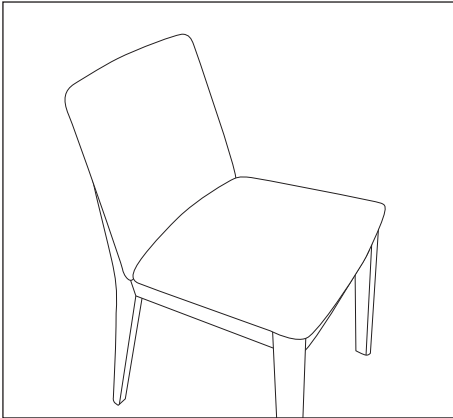
# Aspen Dining Chair

## Disassembly Instructions

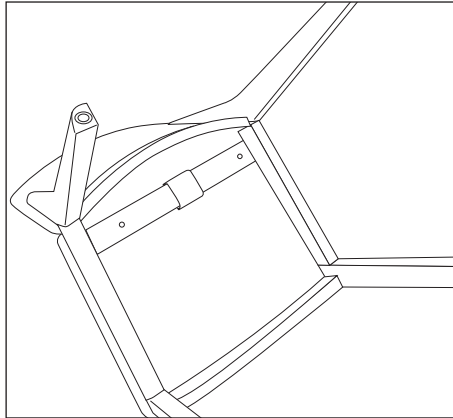
**KING**<sup>®</sup>  
L I V I N G

One person is sufficient for safe disassembly or assembly.

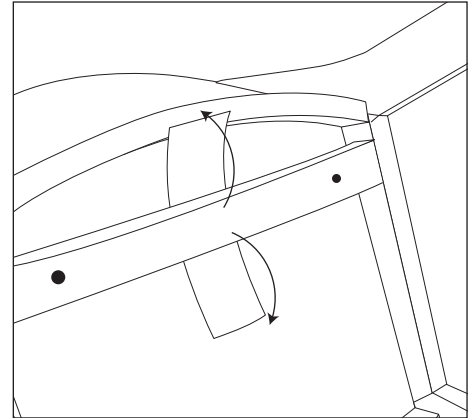
Follow steps 1-12 to disassemble the Aspen Dining Chair. To reassemble follow steps in reverse order. **Please note:** These disassembly instructions apply to the 'back rest' and 'seat' components only to enable reupholstering if desired. The disassembly instructions do NOT apply to the timber frame: **The Aspen chair's timber frame is NOT designed to be disassembled.**



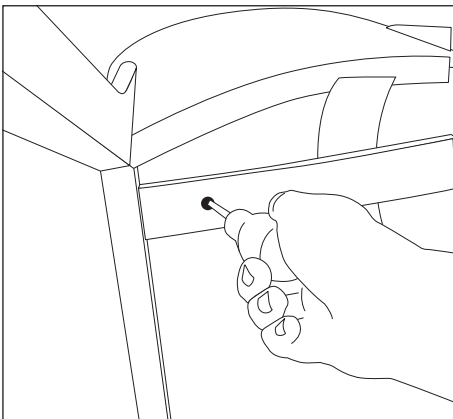
1 An Aspen chair (assembled).



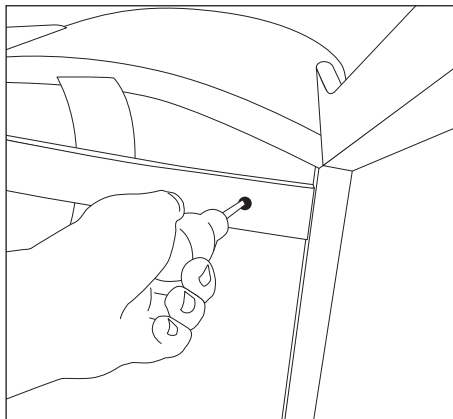
2 Turn the Aspen chair upside down to begin disassembly.



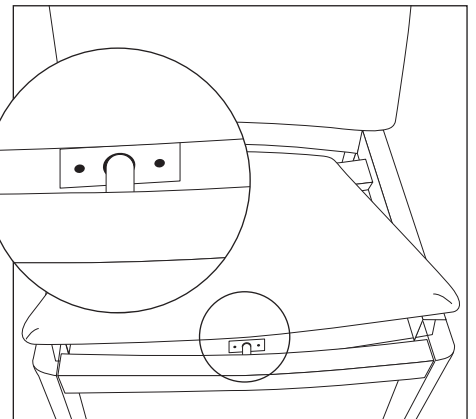
3 Unfasten the Velcro wrapped around the timber frame.



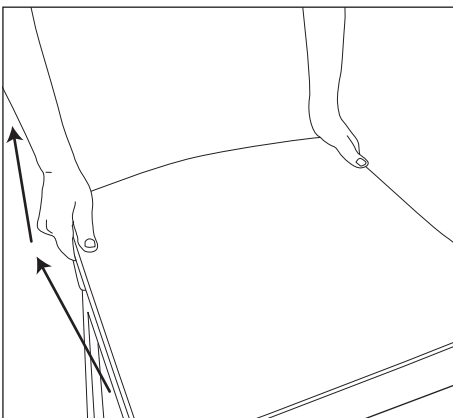
4 There is a screw on either side of the frame which helps secure the seat to the frame. Remove the screws and reserve them for reassembly.



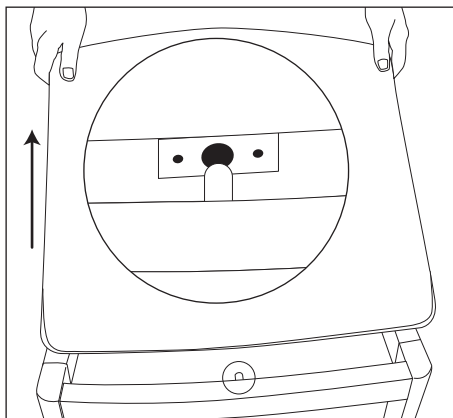
5 Once the screws have been removed follow steps 6-8 to continue separating the seat from the chair frame.



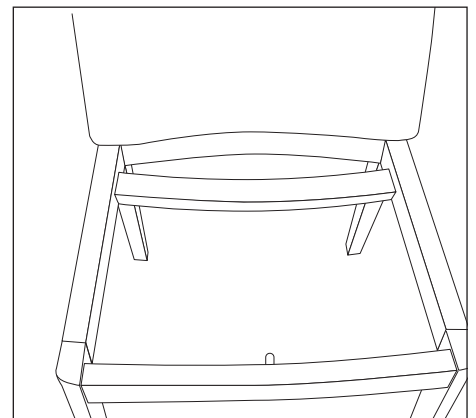
6 A connecting pin inside the chair frame fits into a hole in front of the seat frame securing the two components. Follow steps 7-8 to separate.



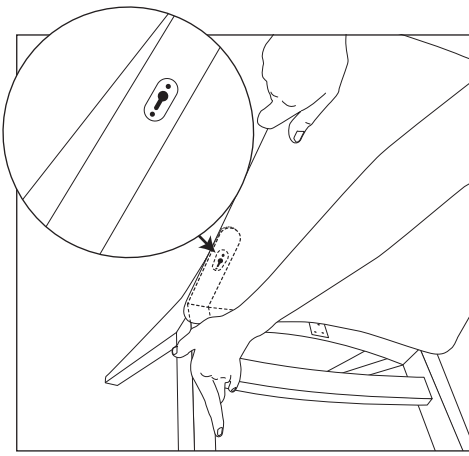
7 Pull the seat backwards firmly and then lift rear of seat upwards to separate the pin from the hole.



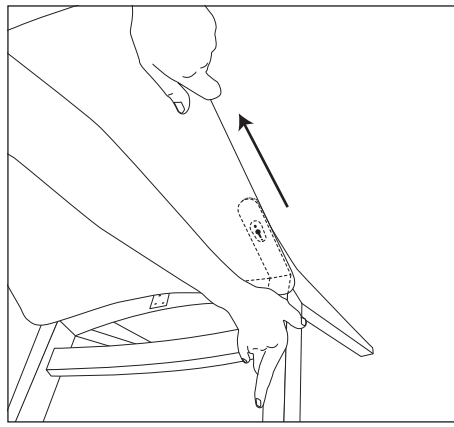
8 Continue pulling upwards until the pin has separated completely from the hole.



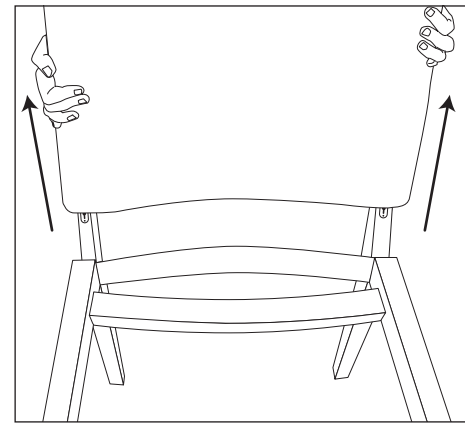
9 Once the seat has been successfully separated from the frame you can begin steps 10-13 to remove the back rest.



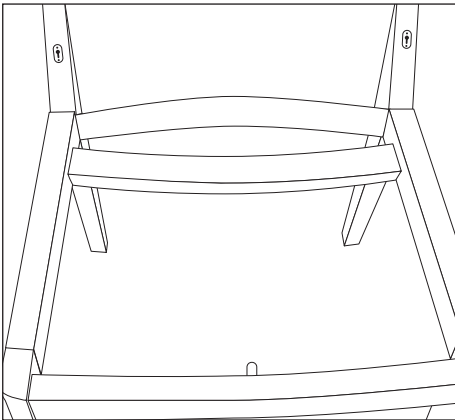
**10** Behind the back rest two protruding screws fit into grooves in the chair frame. Hold the frame and pull the back rest upwards to release first screw.



**11** Repeat on the other side.



**12** When both screws have been released from the grooves, the back rest may be lifted clean away from the chair frame.



**13** Disassembly is now complete. The Aspen's timber frame should not be dismantled - it is NOT designed to be disassembled.