

Zaza

Assembly Instructions

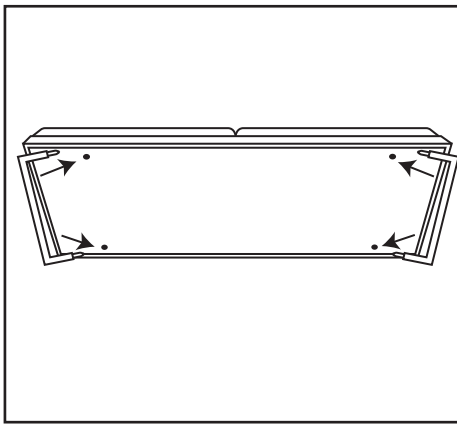
KING[®]
L I V I N G

Two people are required for safe assembly.

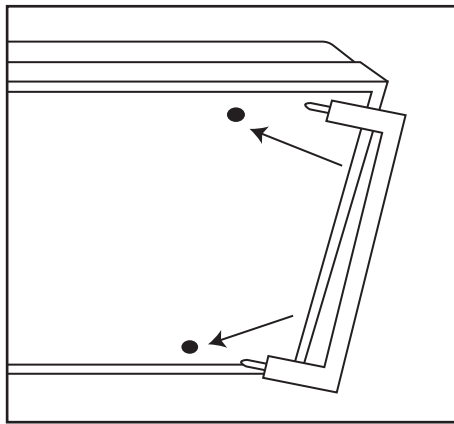
Opening Boxes

DO NOT use a knife to open the King Living boxes - you may damage your furniture. Peel off the tape, then lift & separate the cardboard flaps to open.

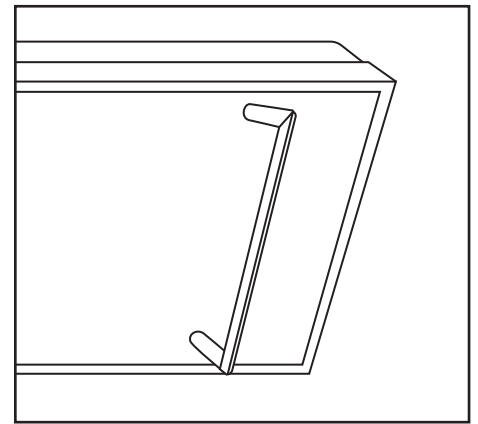
Assemble your furniture by following the steps below.



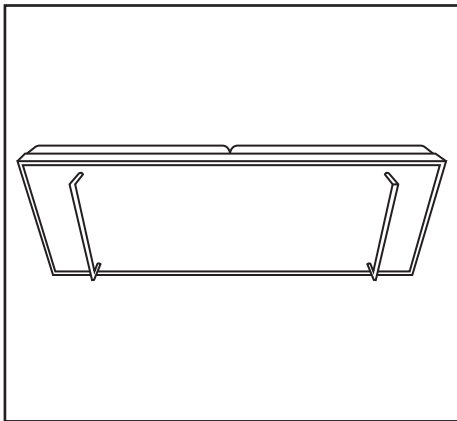
1



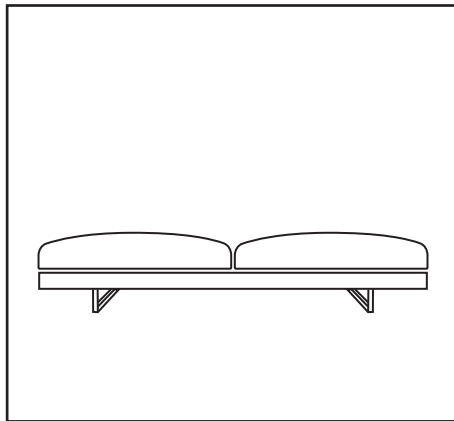
2



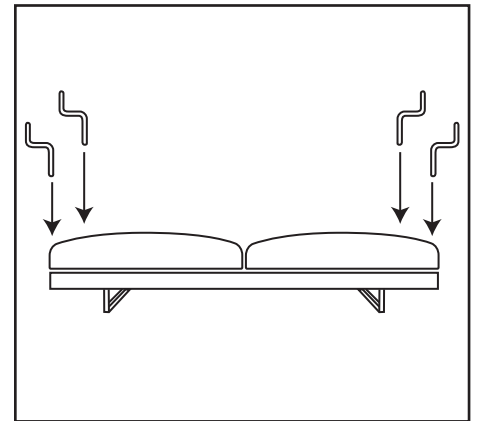
3



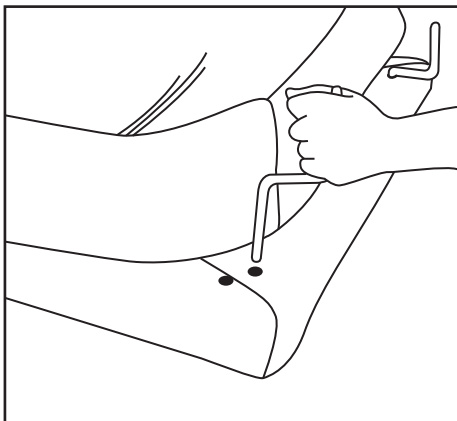
4



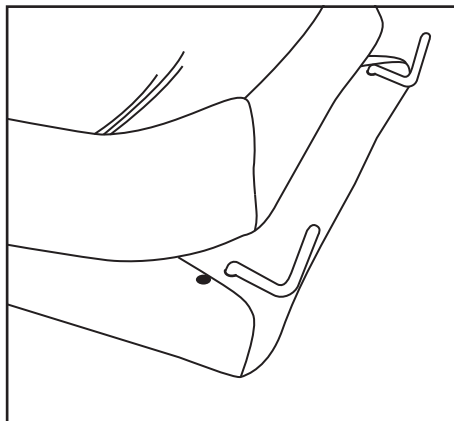
5



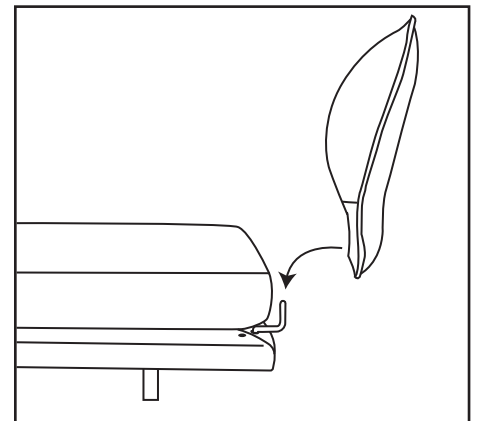
6



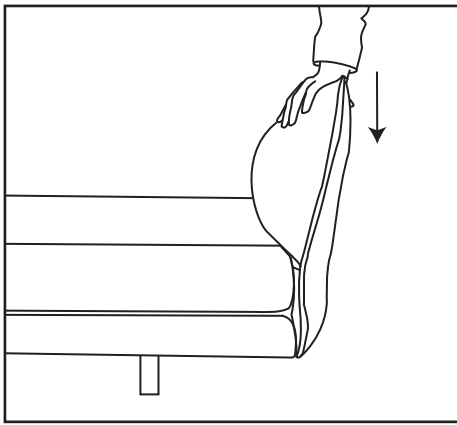
7



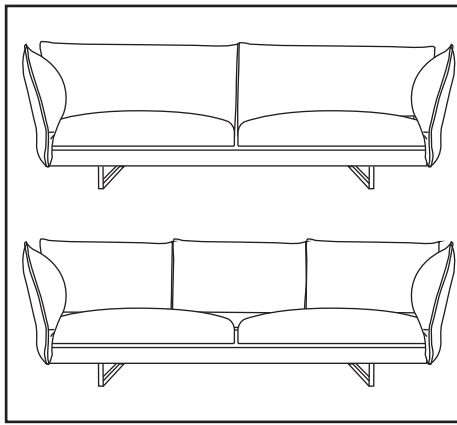
8



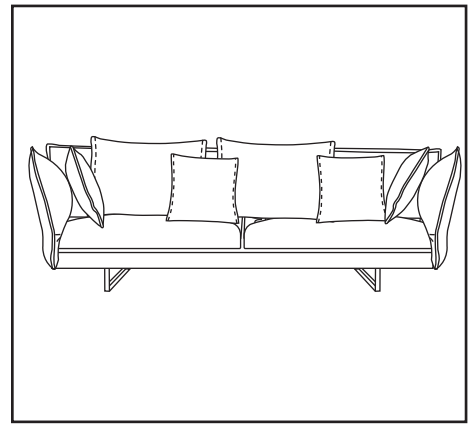
9



10

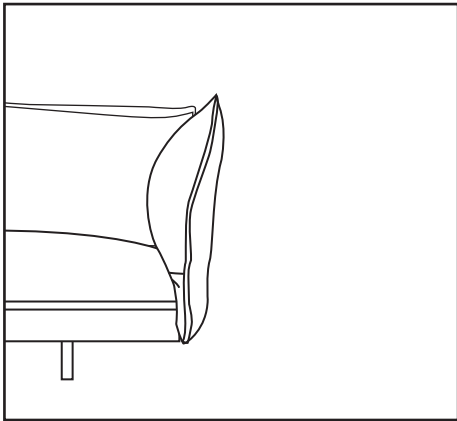


11

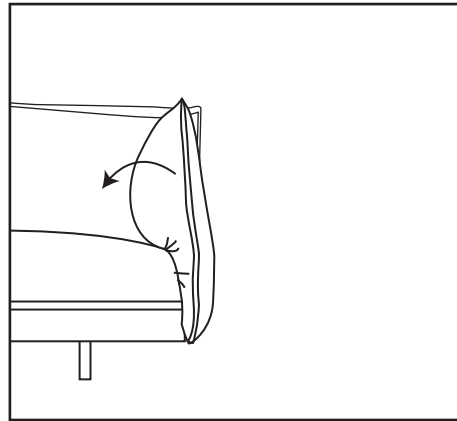


12

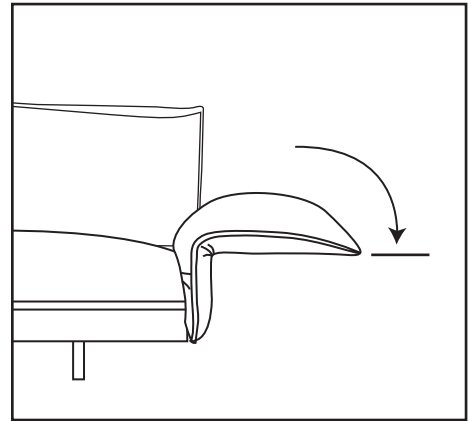
Operating Instructions



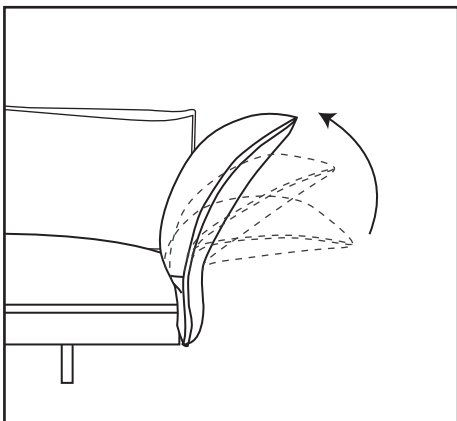
1



2



3



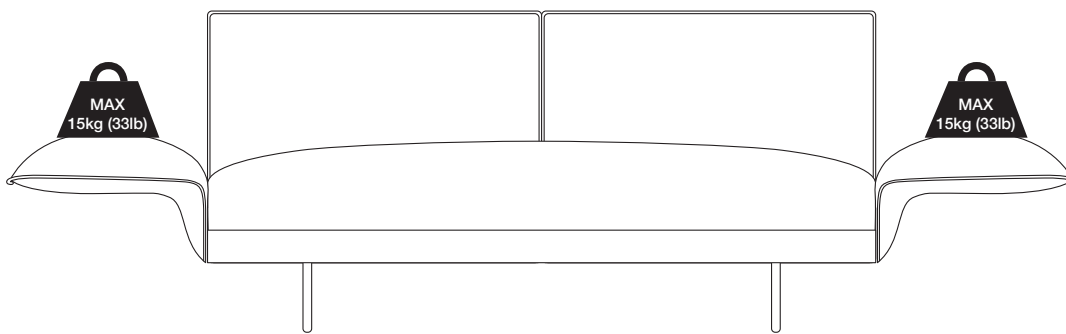
4

Warning

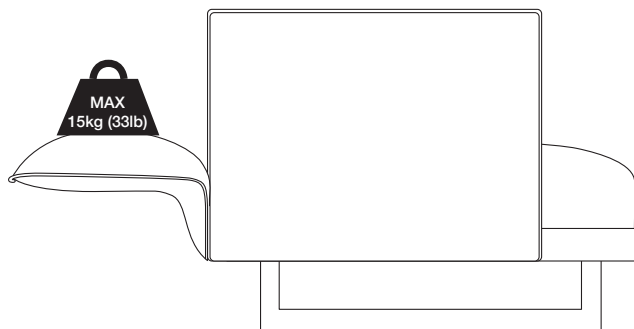
Important:

Read the below instructions carefully before assembling and using this product.

Weight Restriction



Front View



Side View

IMPORTANT:

Do NOT sit on Arms or Backs
MAXIMUM LOAD 15kg (33lb)

