

Oliver Tub Chair Fixed Leg Assembly

KING

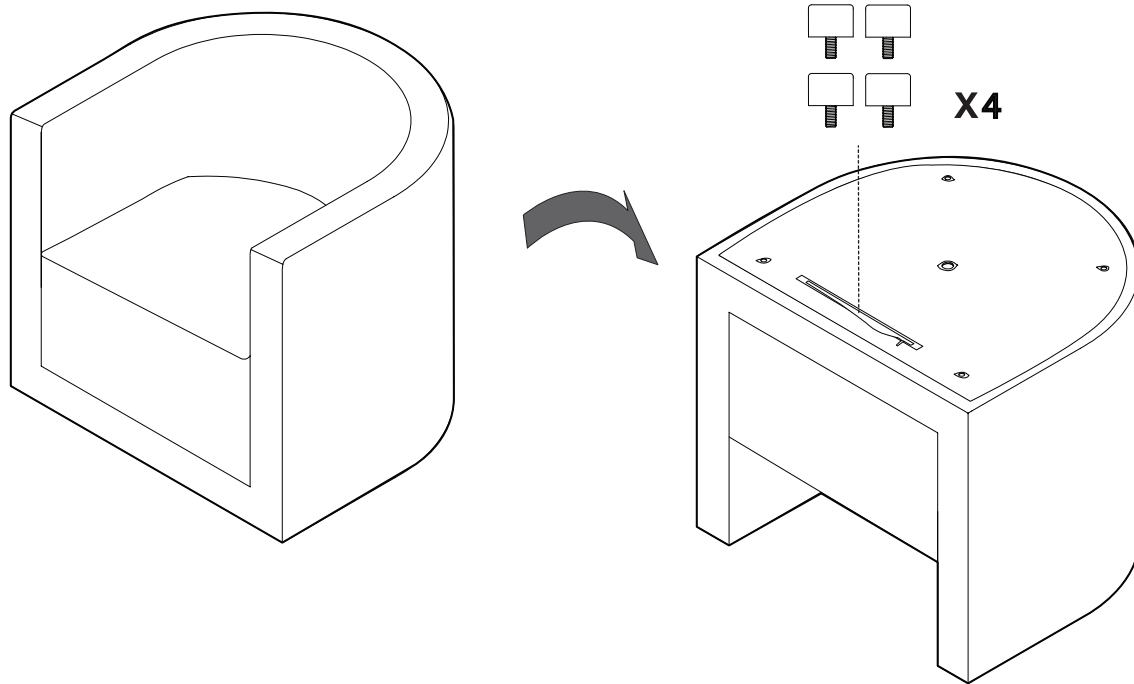
Two People Are Required For Safe Assembly.

Opening Boxes:

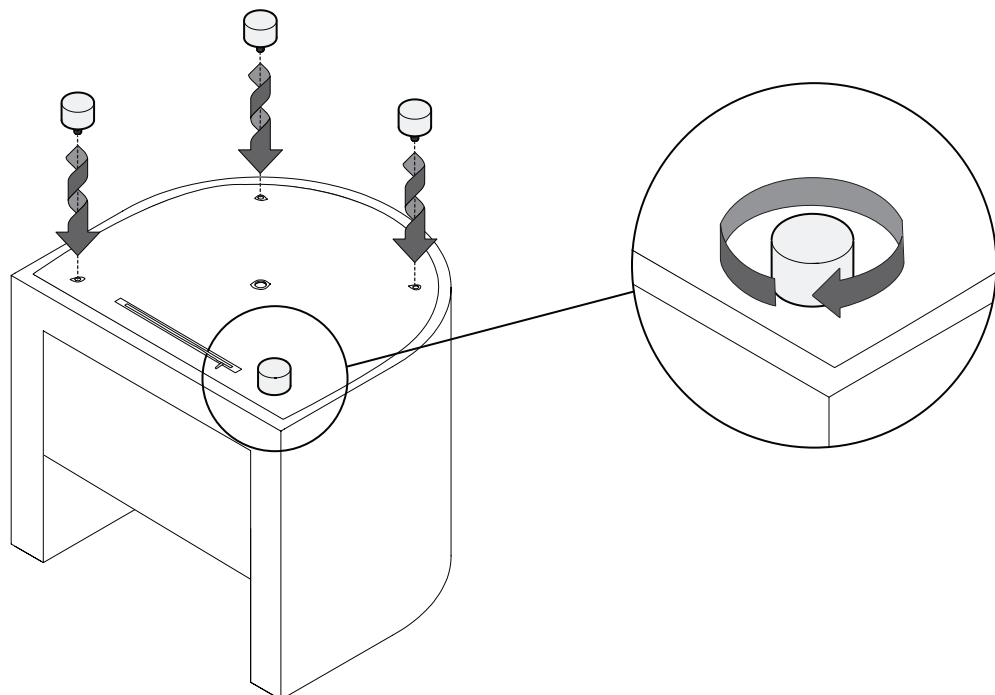
DO NOT use a knife to open the King Living boxes as you may damage your furniture. Peel off the tape, then lift & separate the cardboard flaps to open.

Assemble your furniture by following the instructions below.

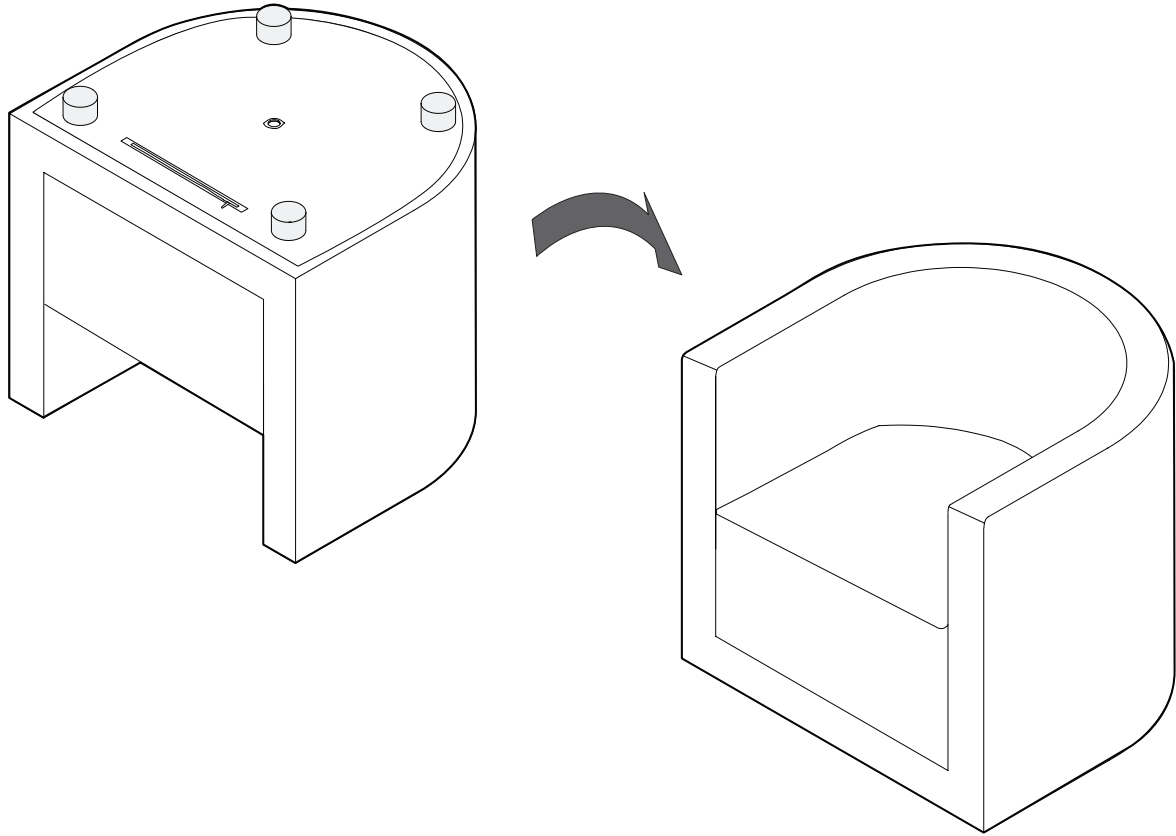
1



2



3



Oliver Tub Chair Swivel

K I N G

Assembly

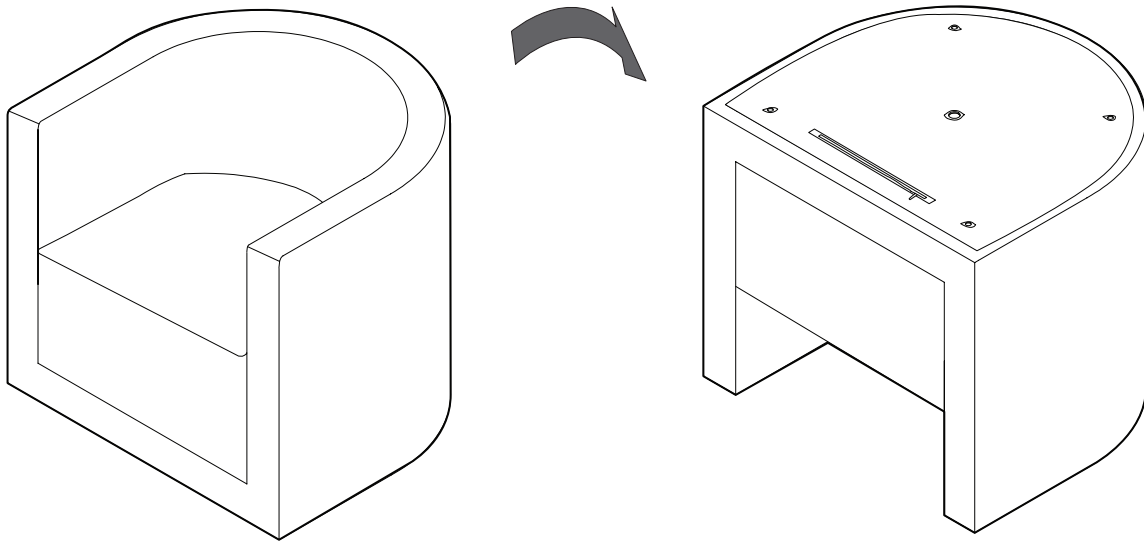
Two People Are Required For Safe Assembly.

Opening Boxes:

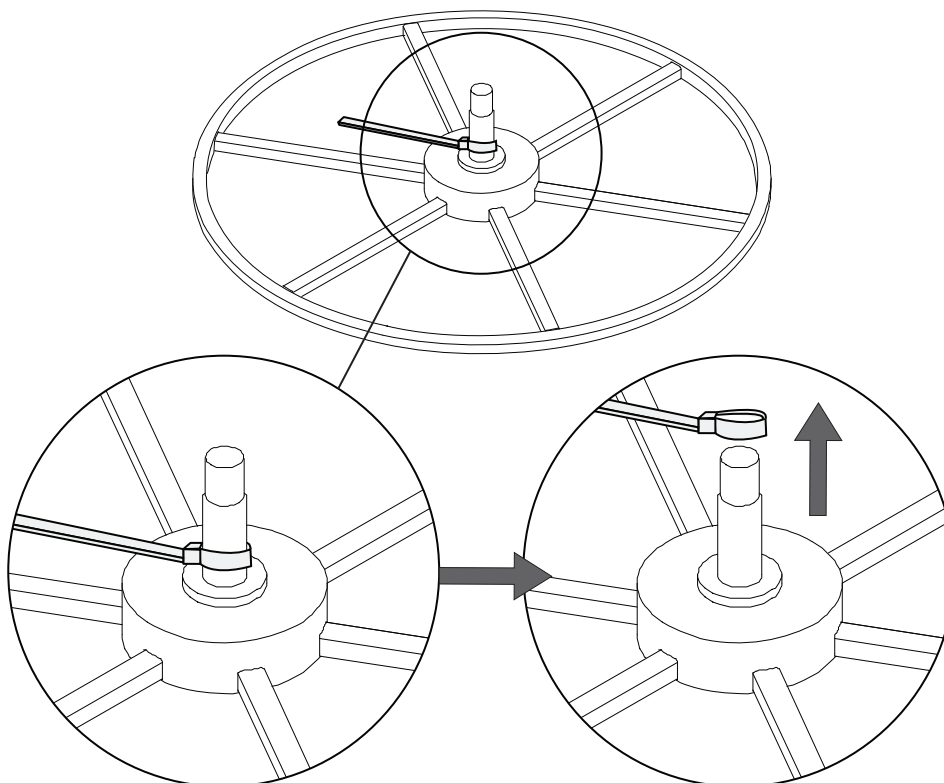
DO NOT use a knife to open the King Living boxes as you may damage your furniture. Peel off the tape, then lift & separate the cardboard flaps to open.

Assemble your furniture by following the instructions below.

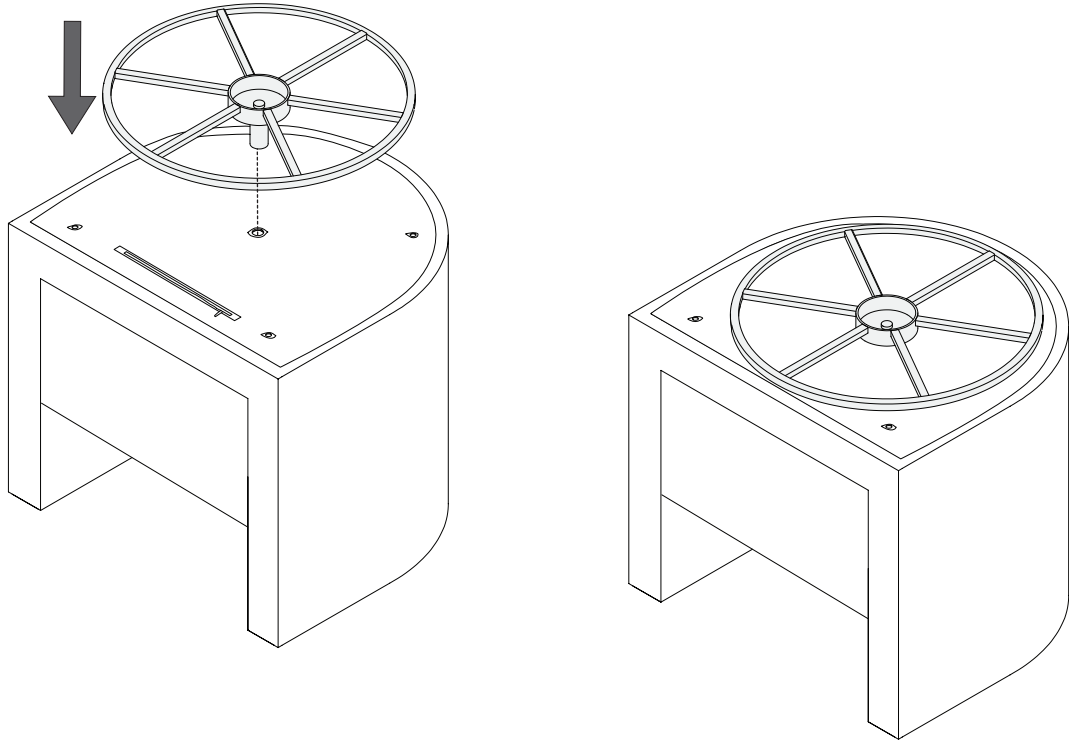
1



2



3



4

