

# Plateau Outdoor Bench 1338 | Bench 1877

# KING

## Assembly | User Guide

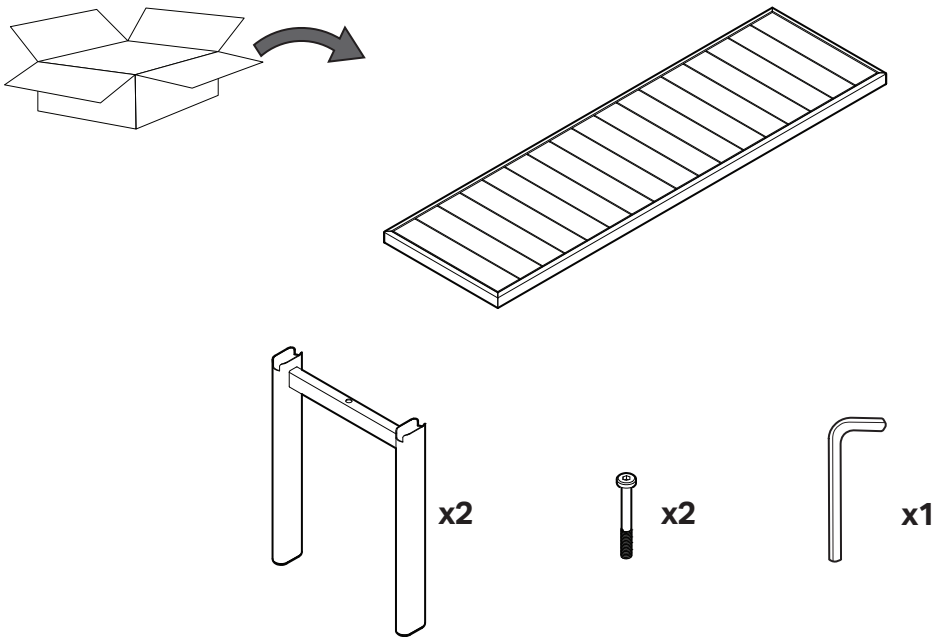
Two people are required for safe assembly

### Opening Boxes:

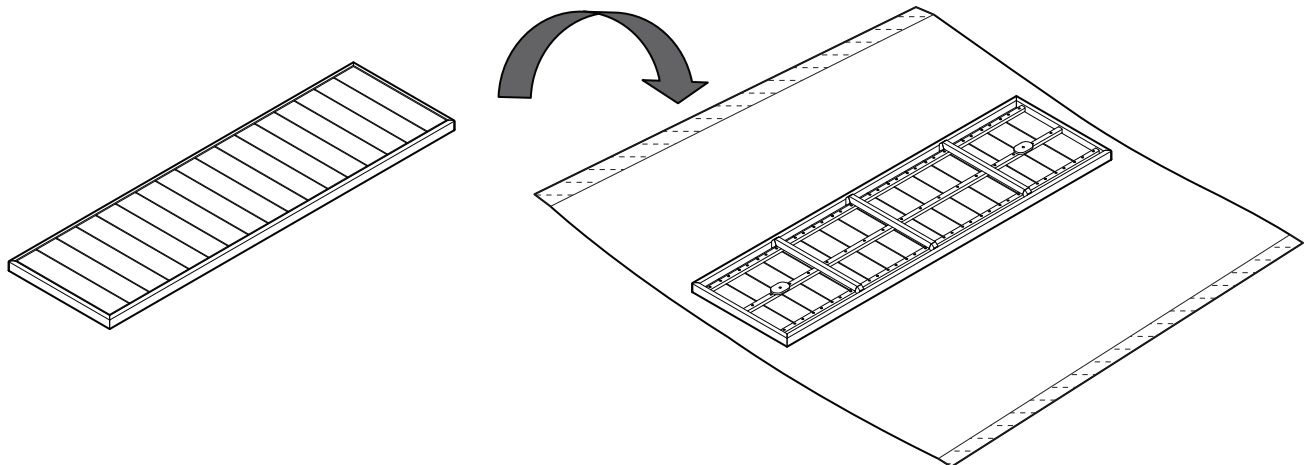
DO NOT use a knife to open the packaging as you may damage your furniture.  
Peel off the tape, then lift & separate the cardboard flaps to open.

Assemble your furniture by following the instructions below.

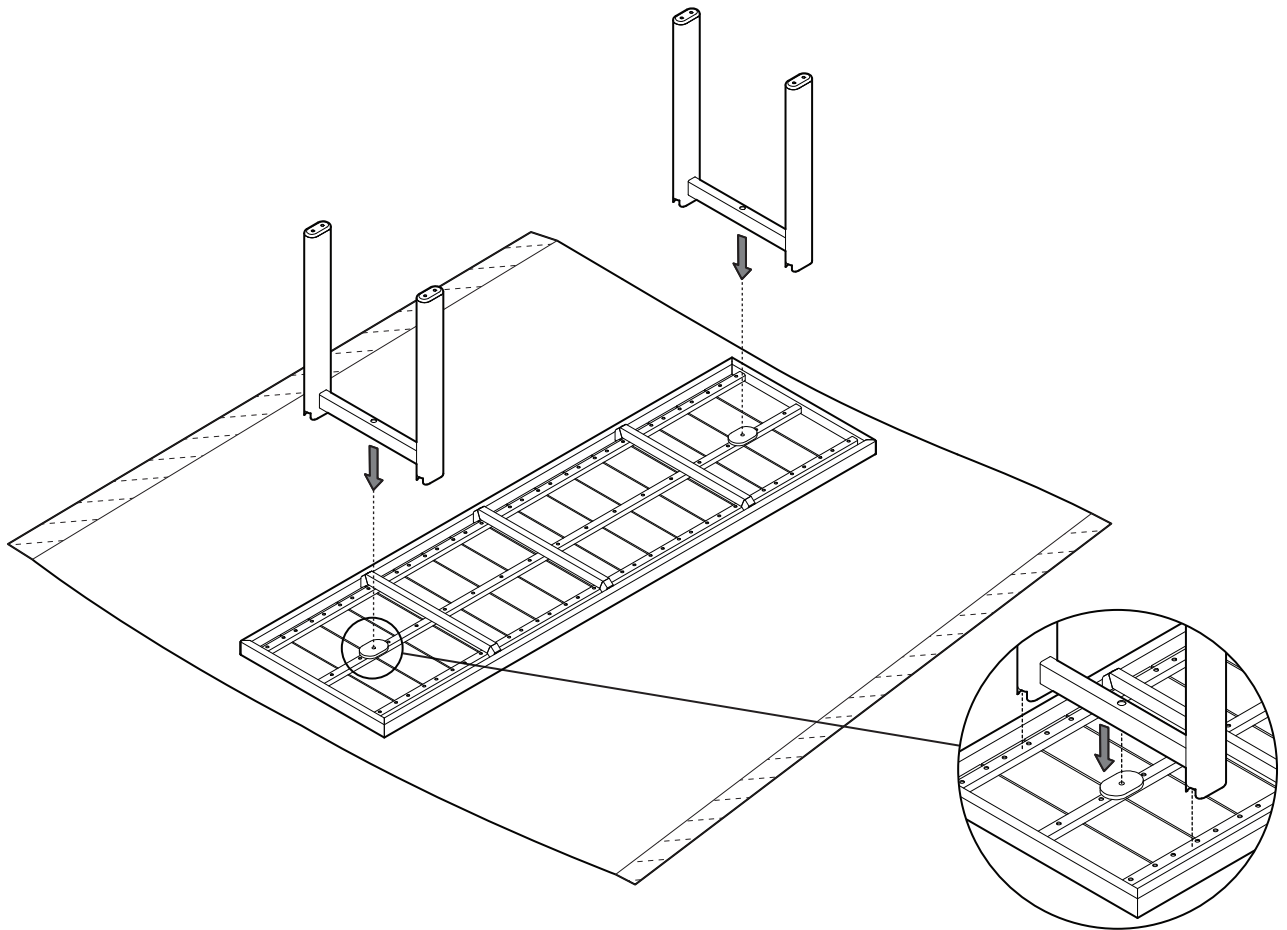
1



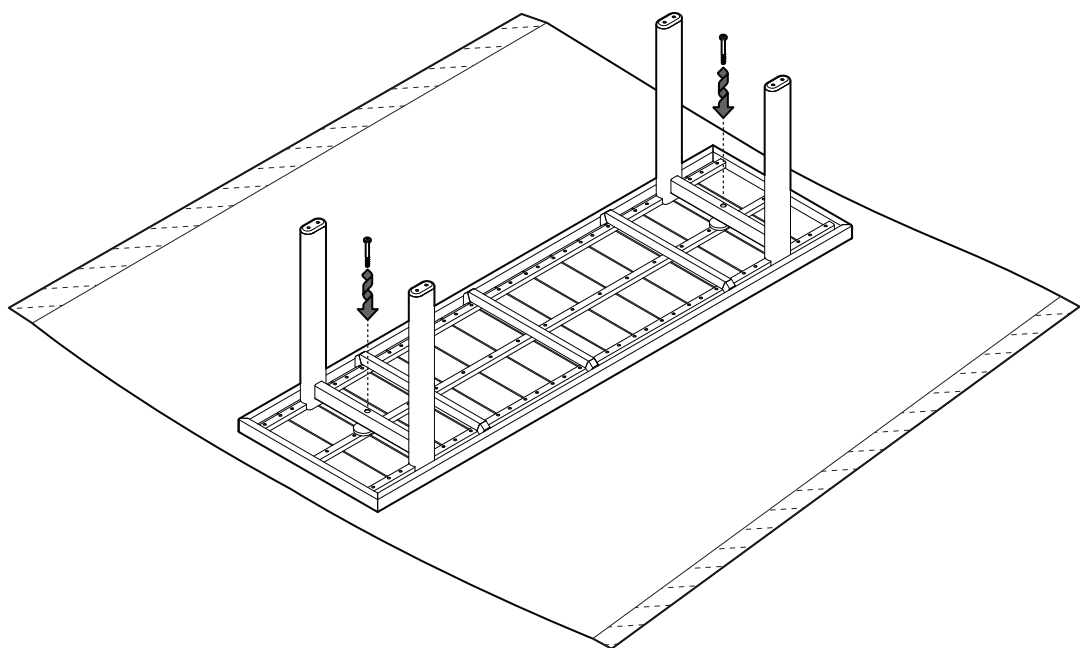
2



3



4



5

