

# Issho Dining Table

## Assembly Instructions - Circle 1590 with Open Base



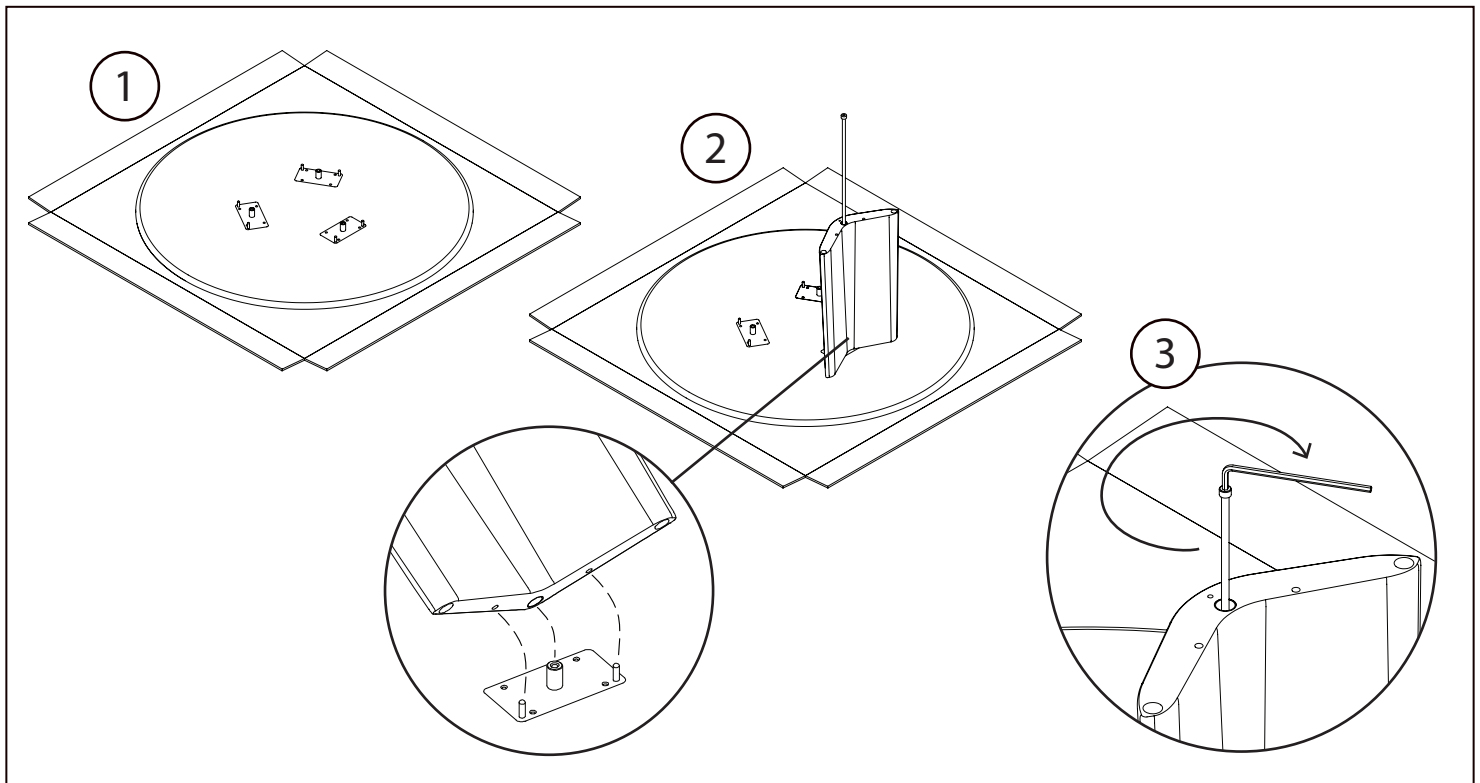
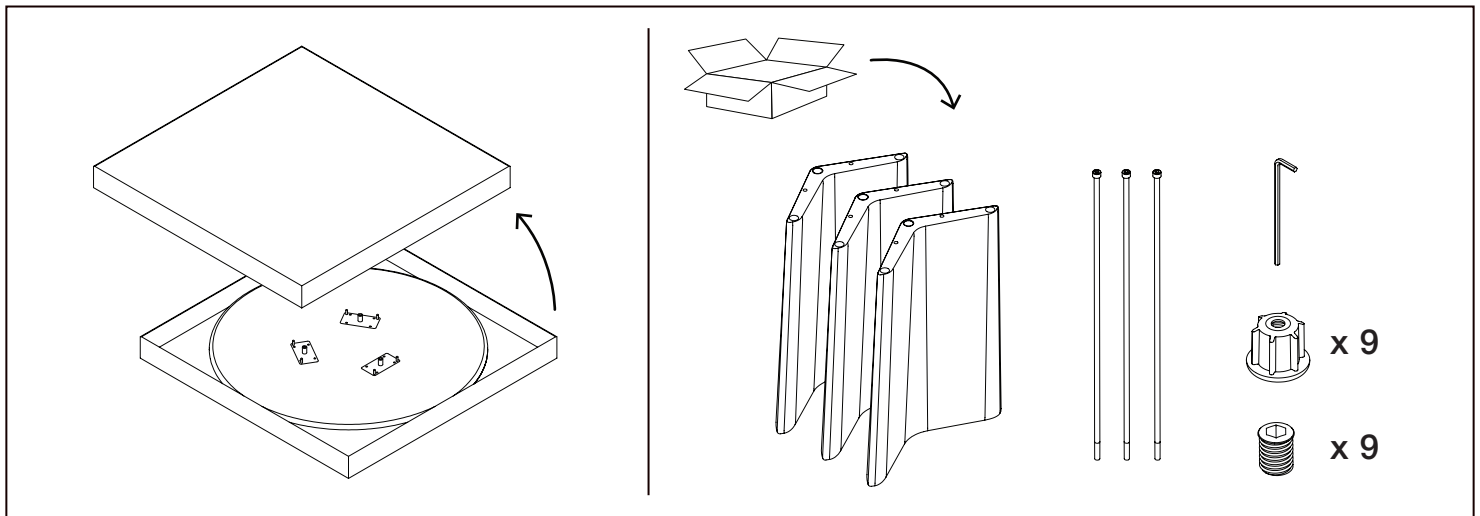
Two people are required for safe assembly.

### Opening Boxes

DO NOT use a knife to open the King Living boxes as you may damage your furniture.

Peel off the tape, then lift & separate the cardboard flaps to open.

Assemble your furniture by following the steps below.



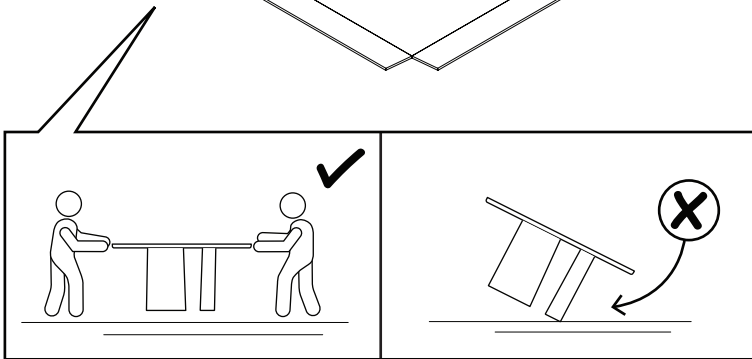
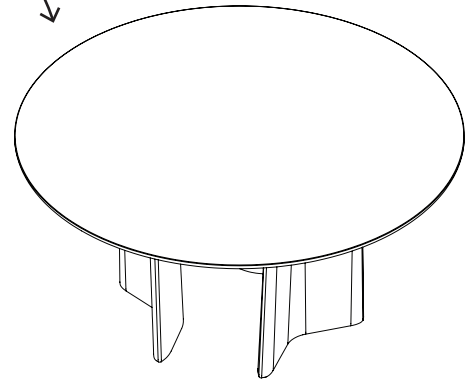
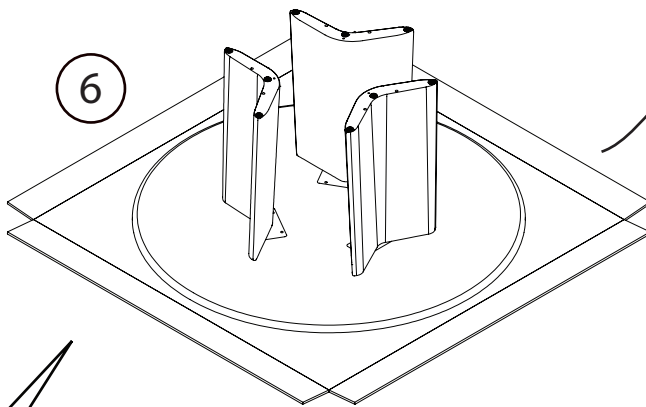
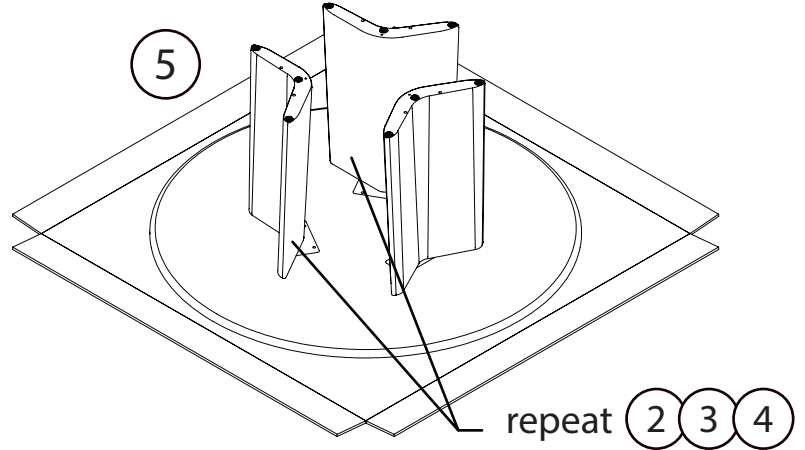
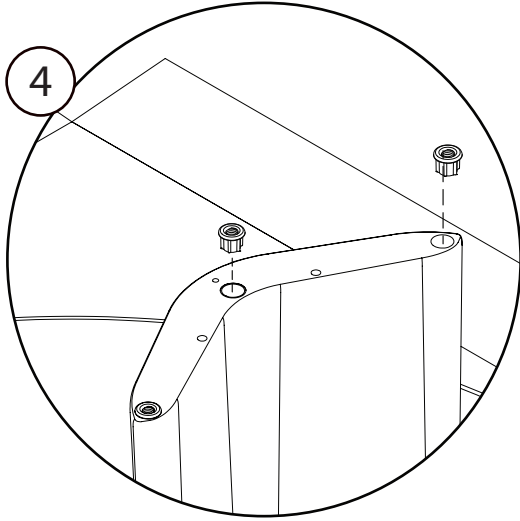
**KING LIVING**  
**CUSTOMER CARE:**

**AUSTRALIA:**  
T 1300 135 464  
E [service@kingliving.com.au](mailto:service@kingliving.com.au)  
W [kingliving.com.au](http://kingliving.com.au)

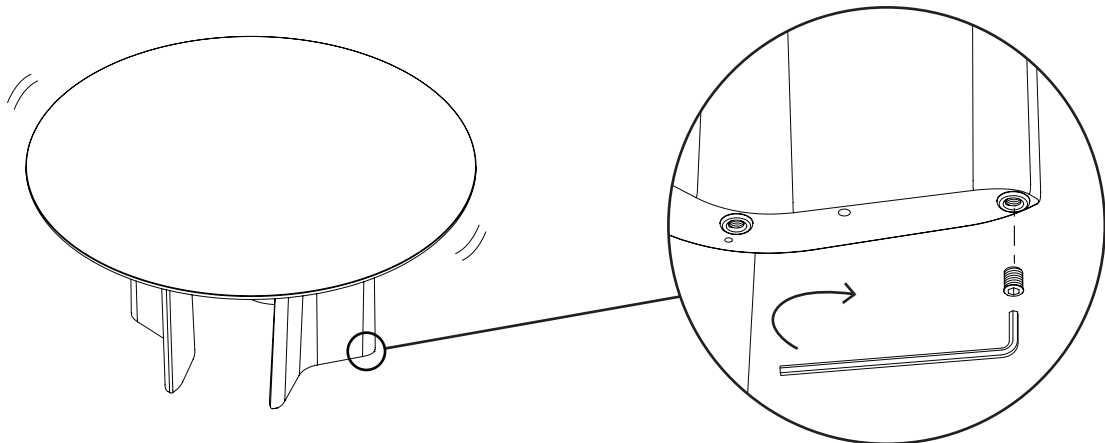
**NEW ZEALAND:**  
T 0800 546 422  
E [service@kingliving.co.nz](mailto:service@kingliving.co.nz)  
W [kingliving.co.nz](http://kingliving.co.nz)

**SINGAPORE:**  
T +65 6805 4198  
E [kingcare@kingliving.com.sg](mailto:kingcare@kingliving.com.sg)  
W [kingliving.com.sg](http://kingliving.com.sg)

**MALAYSIA:**  
T +603 7732 0272  
E [service@kingliving.my](mailto:service@kingliving.my)  
W [kingliving.my](http://kingliving.my)



## Adjustable Footcaps



**KING LIVING**  
**CUSTOMER CARE:**

**AUSTRALIA:**  
 T 1300 135 464  
 E [service@kingliving.com.au](mailto:service@kingliving.com.au)  
 W [kingliving.com.au](http://kingliving.com.au)

**NEW ZEALAND:**  
 T 0800 546 422  
 E [service@kingliving.co.nz](mailto:service@kingliving.co.nz)  
 W [kingliving.co.nz](http://kingliving.co.nz)

**SINGAPORE:**  
 T +65 6805 4198  
 E [kingcare@kingliving.com.sg](mailto:kingcare@kingliving.com.sg)  
 W [kingliving.com.sg](http://kingliving.com.sg)

**MALAYSIA:**  
 T +603 7732 0272  
 E [service@kingliving.my](mailto:service@kingliving.my)  
 W [kingliving.my](http://kingliving.my)