

# Issho Console

# KING

## Assembly

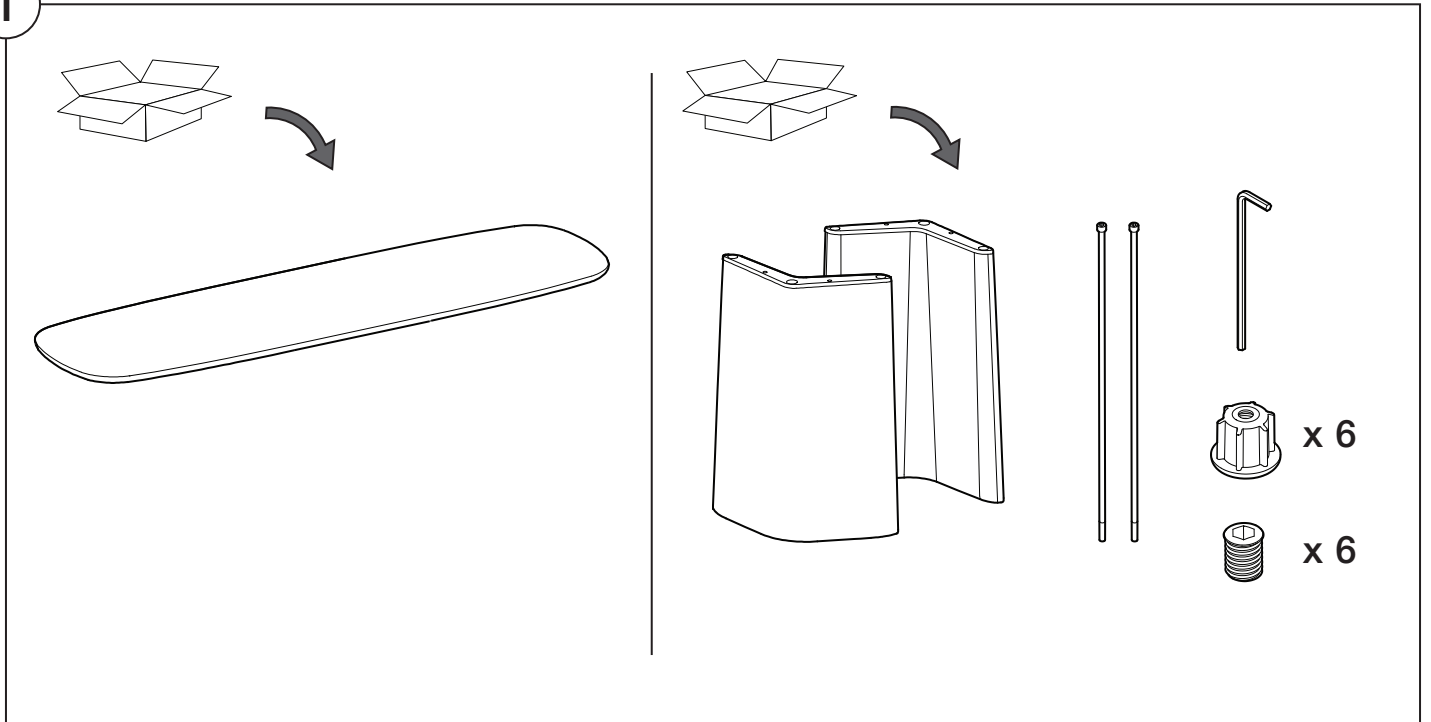
Two People Are Required For Safe Assembly.

### Opening Boxes:

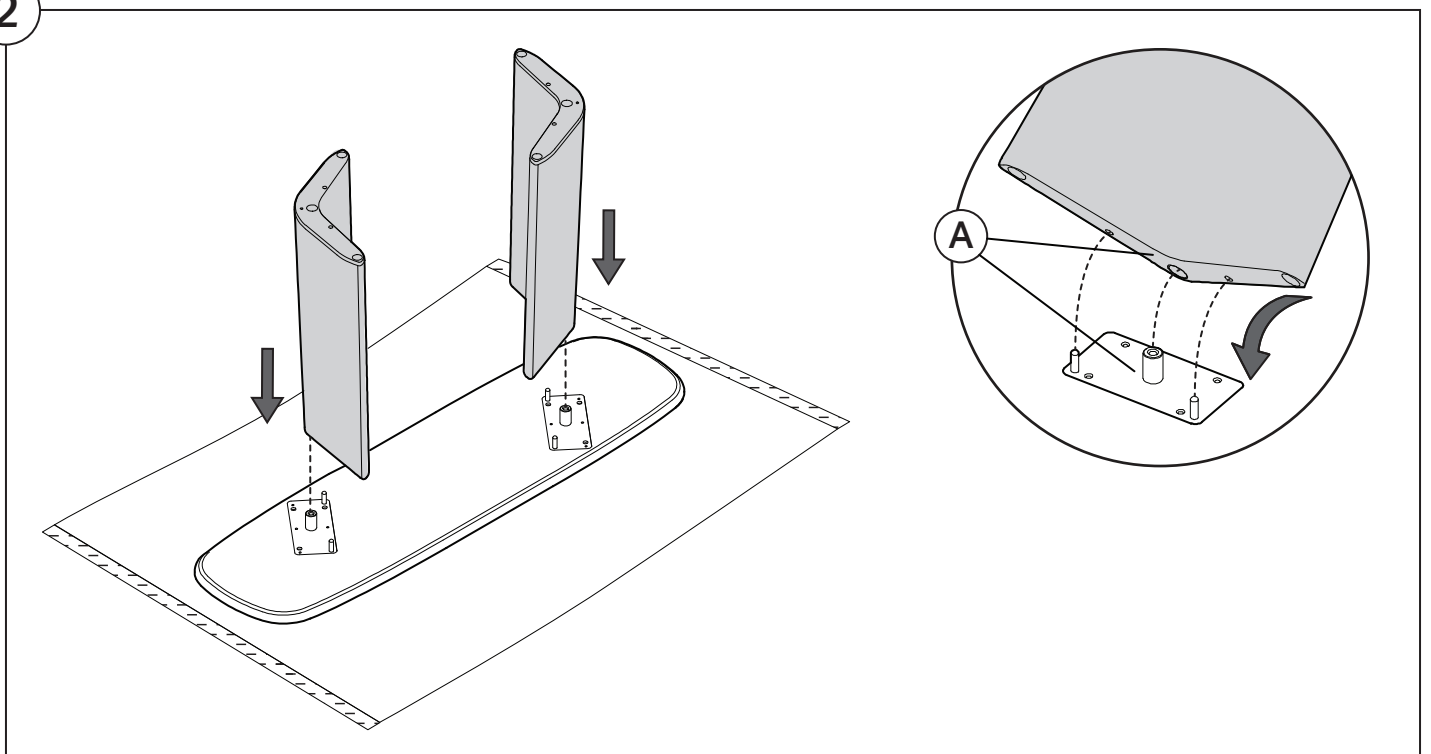
DO NOT use a knife to open the King boxes as you may damage your furniture. Peel off the tape, then lift & separate the cardboard flaps to open.

Assemble your furniture by following the instructions below.

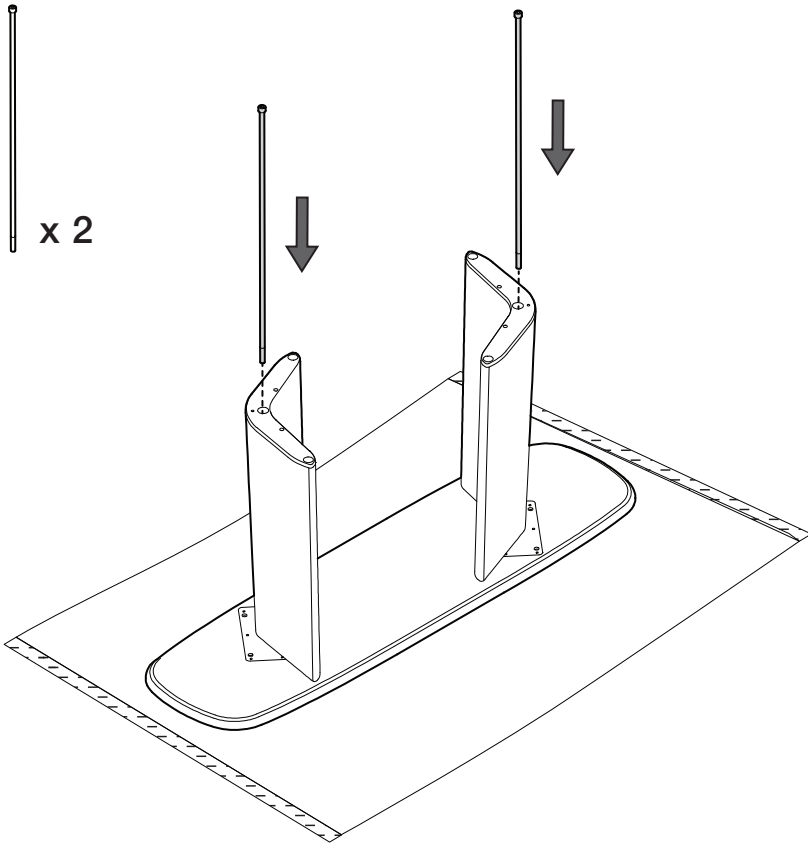
1



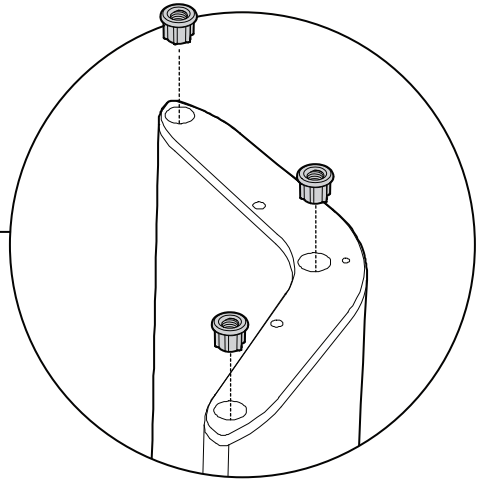
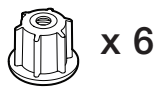
2



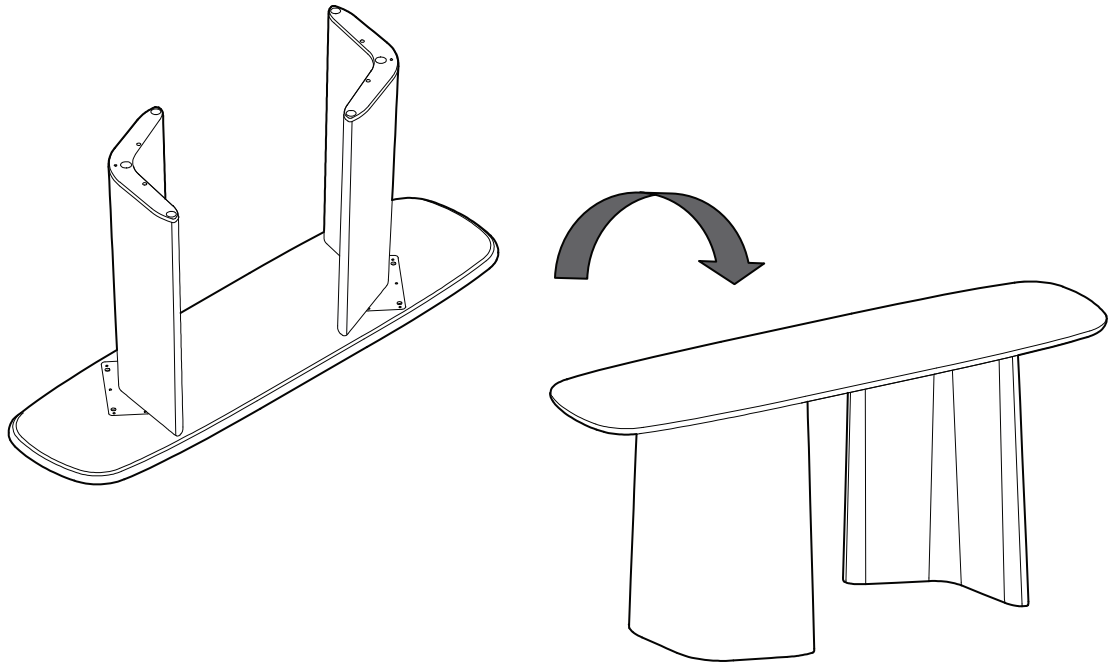
3



4



5



### Adjustable Footcaps

1

 x 6

