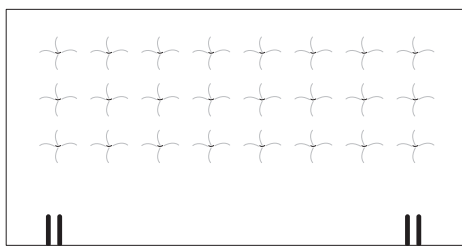


Serenade

Assembly Instructions

KING[®]
L I V I N G

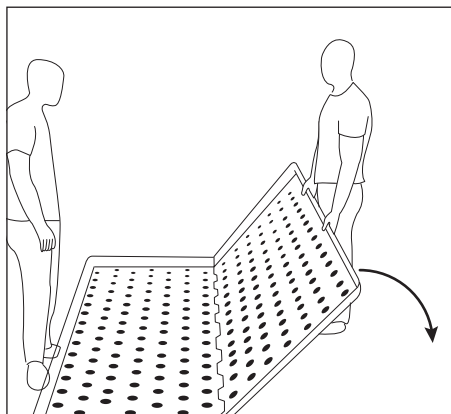
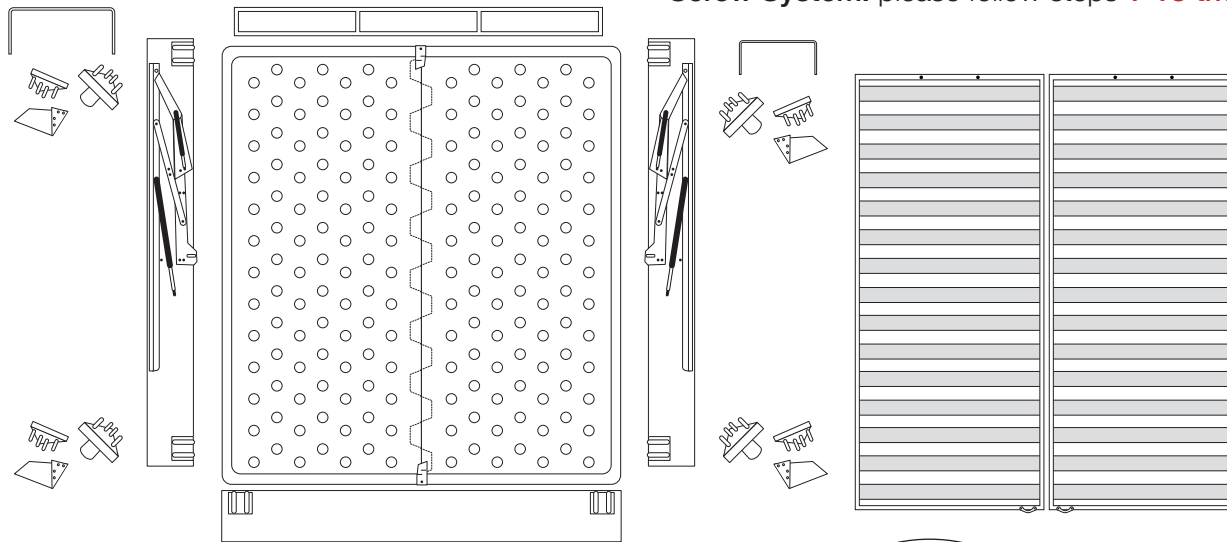
Two people are required for Safe Assembly.



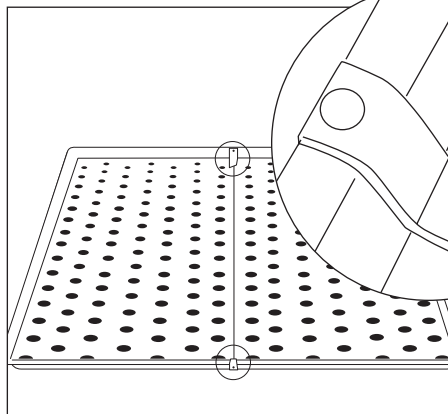
Layout Components as shown. Follow the Steps until assembly completed. **Please note:** The Serenade has been designed with either a 'Click System' or a 'Screw System' for attaching the Bed Rail to the Bed Frame (see below):

Click System: please follow steps **1-21 then 24-27**

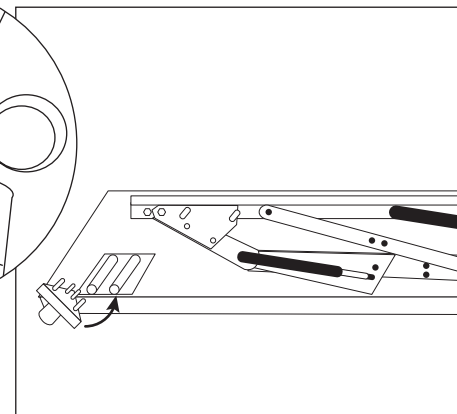
Screw System: please follow steps **1-18 then 22-27**



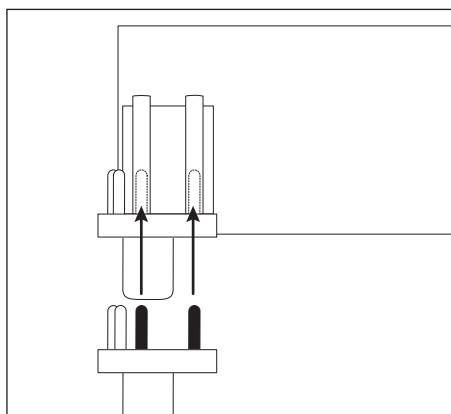
1 Connect tub halves.



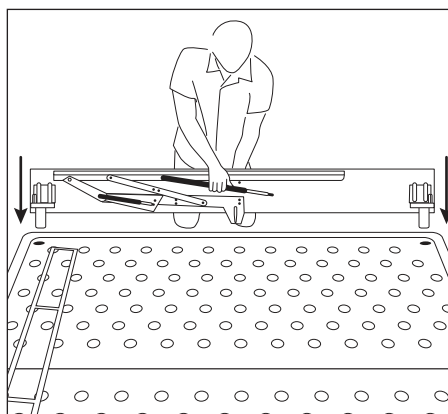
2 Connect & secure tub halves.



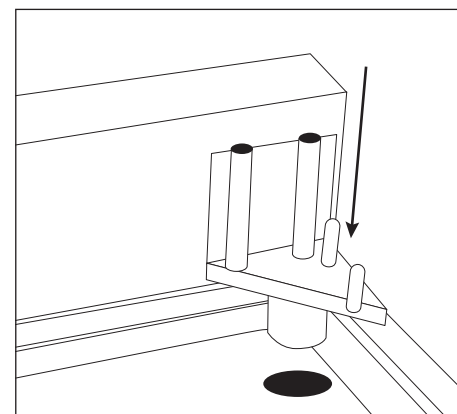
3 Connect leg to side.



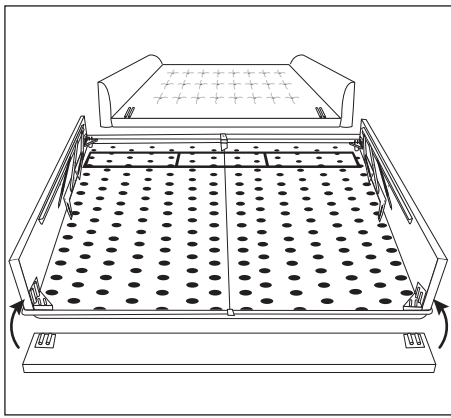
4 Connect leg to side.



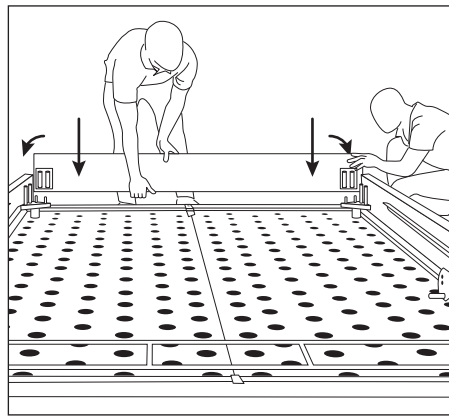
5 Lower side onto tub.



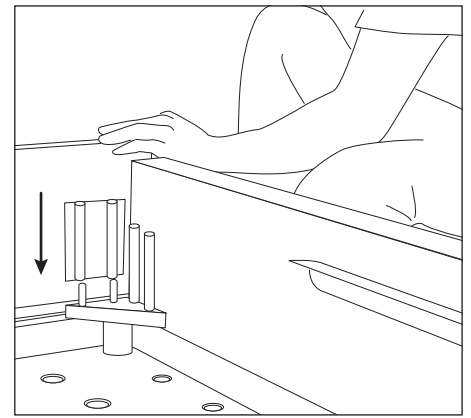
6 Line up legs to the tub indents.



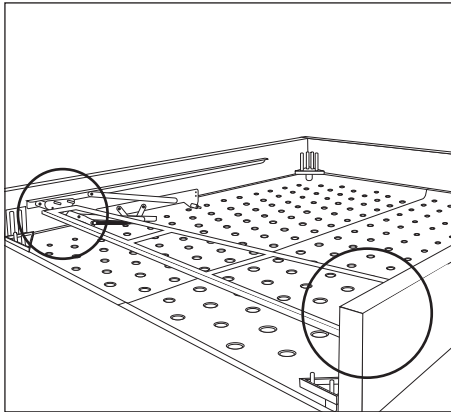
7 Repeat for both sides.



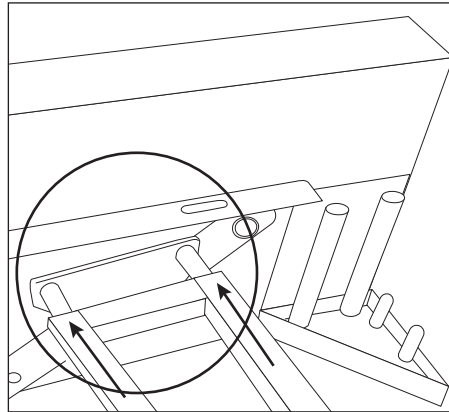
8 Lower bed end onto tub.



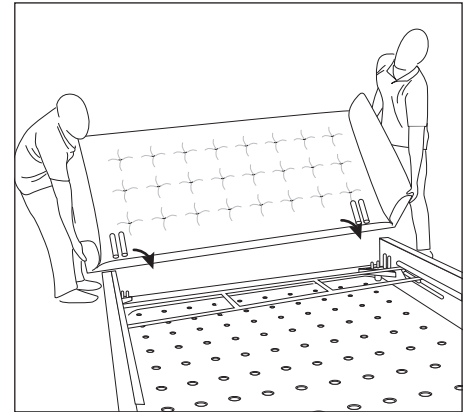
9 Connect to sides using leg pins.



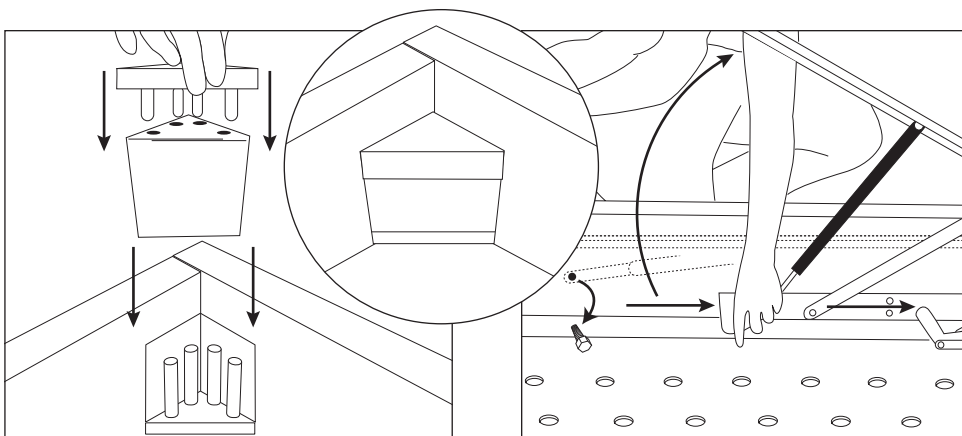
10 Attach one end of spreader rail.



11 Attach other end of spreader rail and push together.

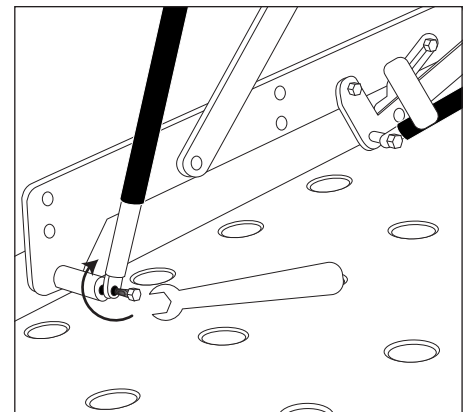


12 Lower bed head onto tub and leg pins.

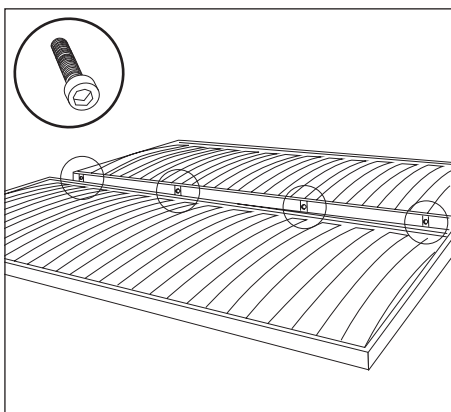


13 When sides joined with the head & end, cover the exposed corner leg pins with triangle pieces – as shown.

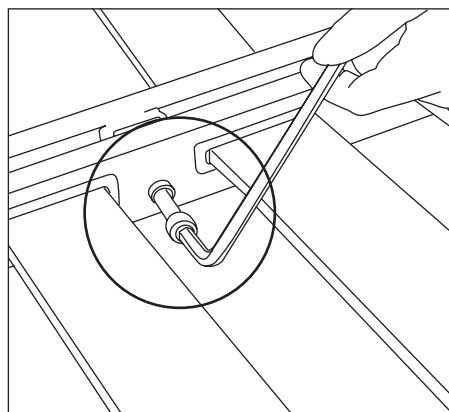
14 Unscrew the bolt to release the transport securing mechanism. Take care not to scratch the timber.



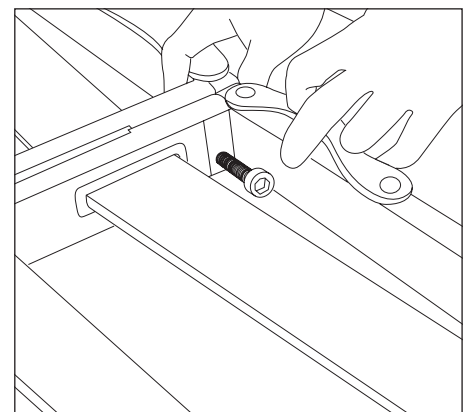
15 Screw-in the bolt to secure lever arm in the correct position.



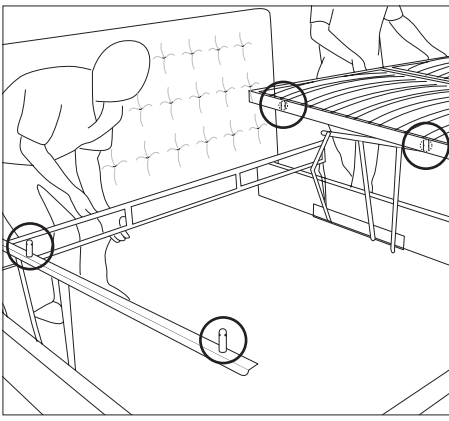
16 Connect frame together with four (4) bolts.



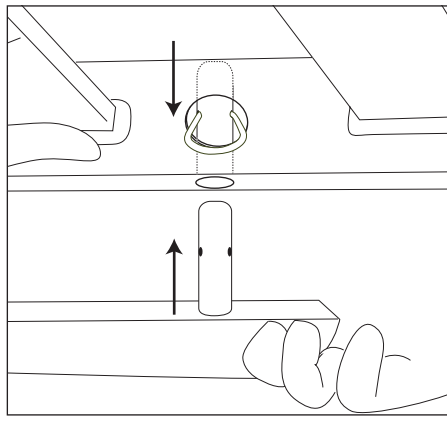
17 Screw in securely with the provided Allen Key.



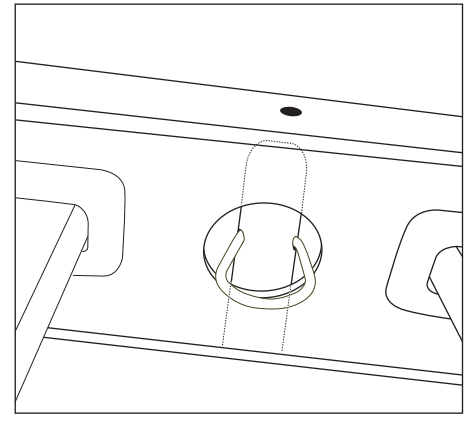
18 Ensure all four (4) bolts are secured.
Click: Continue to Steps 19-21
Screw: Continue to Steps 22-23



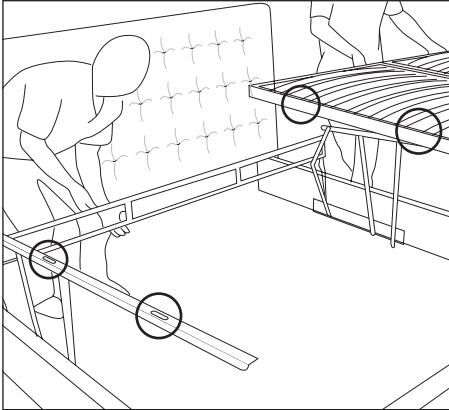
19 Click: With bed in bed-making position, lower frame onto bed rail. Line-up knobs with receivers.



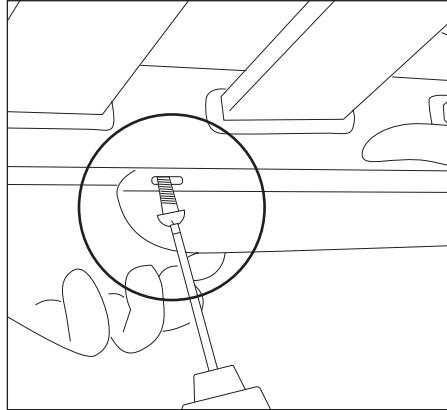
20 Click: Push-in until all four (4) connectors 'click' securely.



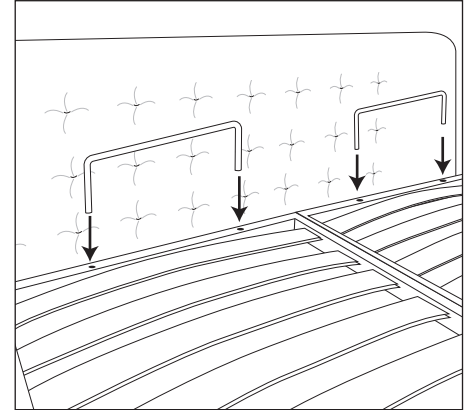
21 Click: Bed frame is now secured to bed rail.
Continue to Steps 24-27



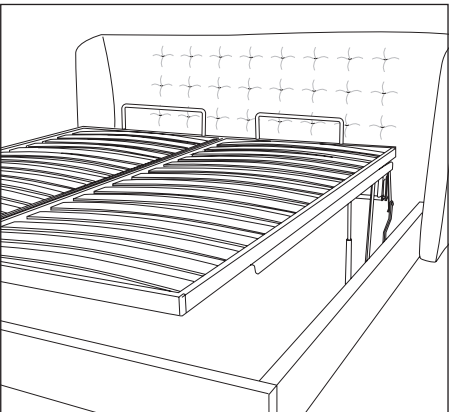
22 Screw: With bed in bed-making position, lower frame onto bed rail. Line-up base with screw guide holes.



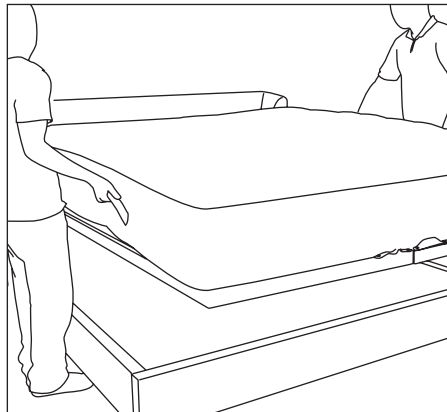
23 Screw: Screw frame securely to bed rail from underneath.
Continue to Steps 24-27



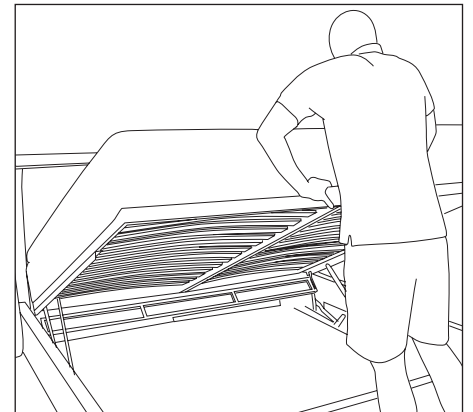
24 Line-up mattress supports with receiving holes and push the supports into bed frame.



25 With bed still open, tighten all screws & bolts to ensure bed frame, bed rail and bed base are all securely attached.



26 Place mattress on top of bed frame carefully.



27 Close the assembled bed.

King-Care

Australia:

T 1300 546 422

E kingcare@kingliving.com.au

CUSTOMER SERVICE:

T 1300 135 464

E service@kingliving.com.au

W kingliving.com.au

New Zealand:

T 0800-546422 (0800-KINGCARE)

E kingcare@kingliving.co.nz

W kingliving.co.nz

Singapore:

T +65 6805 4198

E kingcare@kingliving.com.sg

W kingliving.com.sg